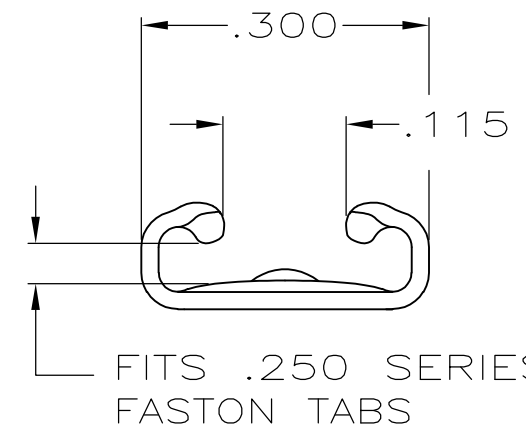
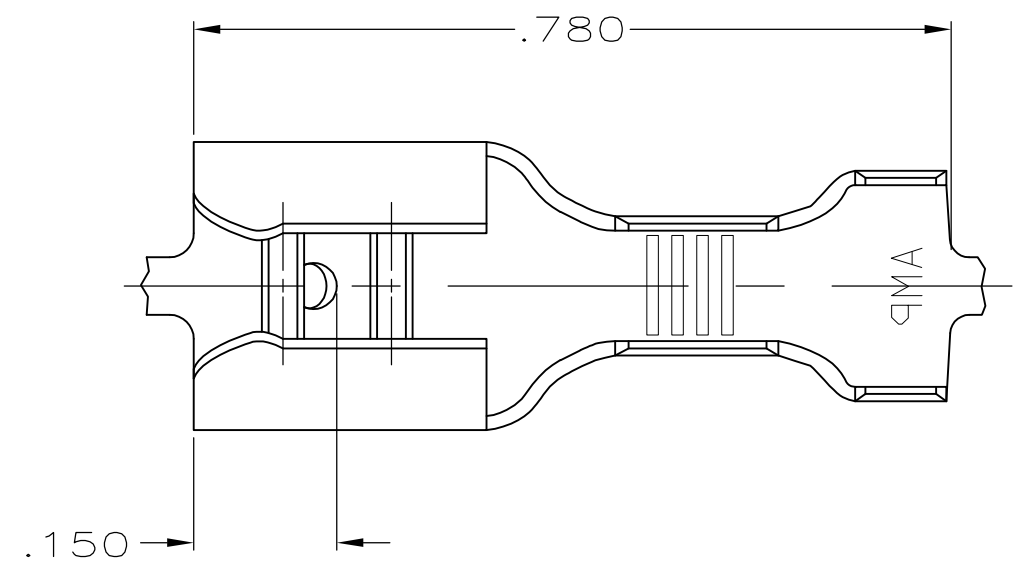


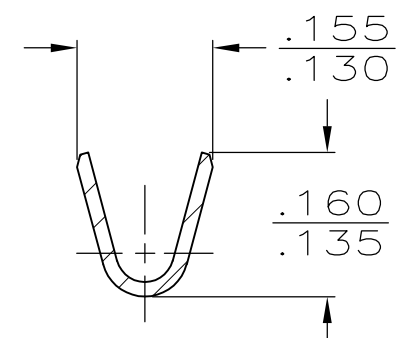
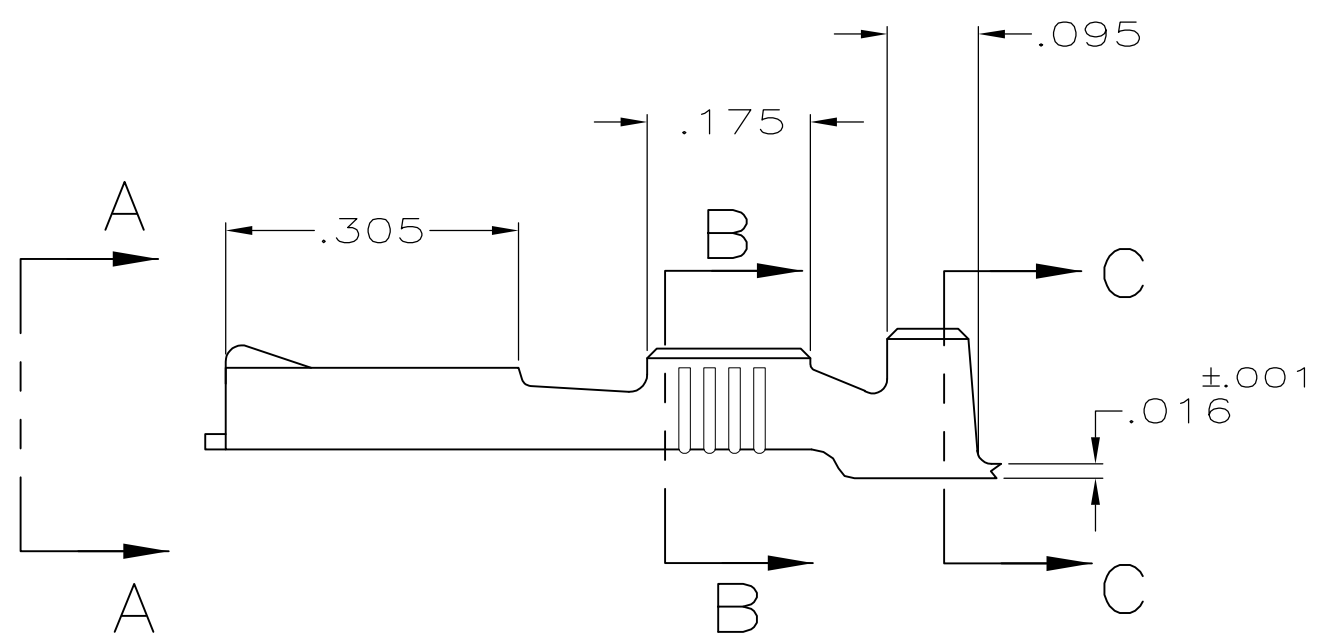
THIS DRAWING IS UNPUBLISHED. RELEASED FOR PUBLICATION
 © COPYRIGHT - By - ALL RIGHTS RESERVED.

LOC	DIST	REVISIONS			
P	LTR	DESCRIPTION	DATE	DWN	APVD
AF	50	G	REVISED PER ECR-12-013445	09NOV12	KH PD

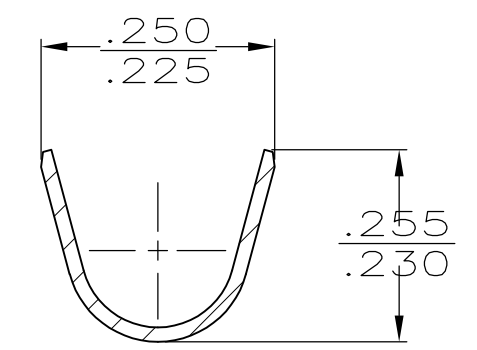
1 CONTINUOUS STRIP ON REELS.



VIEW A-A



SECTION B-B



SECTION C-C

TIN	.150-.210 DIA	18-14 AWG	.032	42692-2
-				42692-1
FINISH	INSULATION RANGE	WIRE SIZE	MATING TAB THK ±.001	PART NUMBER

THIS DRAWING IS A CONTROLLED DOCUMENT.		DWN JR RUTH 4/15/91	TE Connectivity RECEPTACLE, FASTON, .250 SERIES				
DIMENSIONS: INCHES		CHK MS FEHER 4/15/91					
		APVD C MEYERS 4/15/91					
TOLERANCES UNLESS OTHERWISE SPECIFIED:		PRODUCT SPEC					
MATERIAL: BRASS		FINISH: SEE TABLE	APPLICATION SPEC	SIZE: A3	CAGE CODE: 00779	DRAWING NO: C-42692	RESTRICTED TO: -
CUSTOMER DRAWING			WEIGHT: -	SCALE: 5:1	SHEET: 1 OF 1	REV: G	